

# 中国慈溪市鑫科电子科技有限公司

## Cixi Xinke Electronic Technology Co., Ltd.

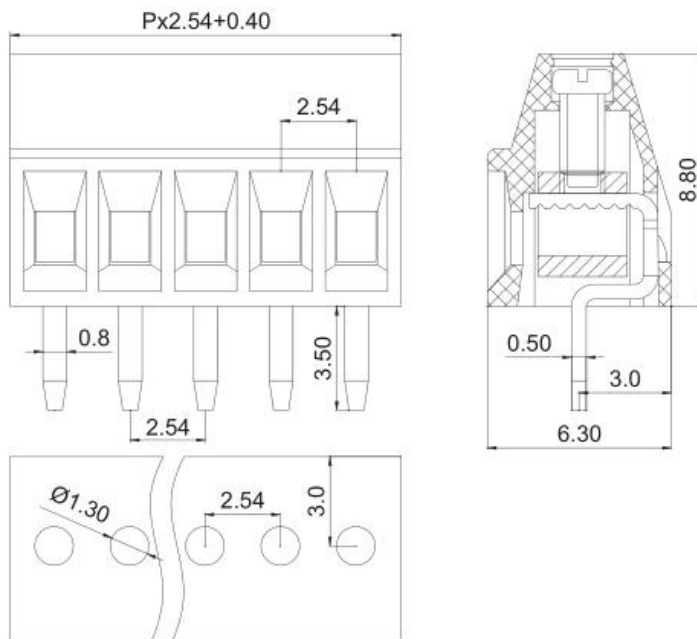
地址: 中国浙江省慈溪市逍林北工业区联振路 188 号

ADD: No. 188, Lianzhen Road, Xiaolin North Ind. Zone, Cixi, P.R.CHINA

TEL: (+86) 574 63512870 FAX: (+86) 574 63512871

P.C.:315321

model: XK128-2.54MM



### Electrical performance

Rated voltage: 150V

Rated current: 6A

Wire diameter: 26-18AWG 1MM<sup>2</sup>

Rated impulse voltage: 1.25KV

### Mechanical properties

Ambient temperature:  $-40^{\circ}\text{C} \sim +105^{\circ}\text{C}$

Strip length: 5-6MM

Maximum locking torque: 0.1N.m(0.88lb-in)

### Size

Spacing: 2.54mm

The number of poles: 2-12P

**Material and Plating**

Plastic parts: PA66

Screw: M1.6,Steel,Plating Zinc

Square box: Brass,Nickel plating

Welding needle: Brass,Tin plating