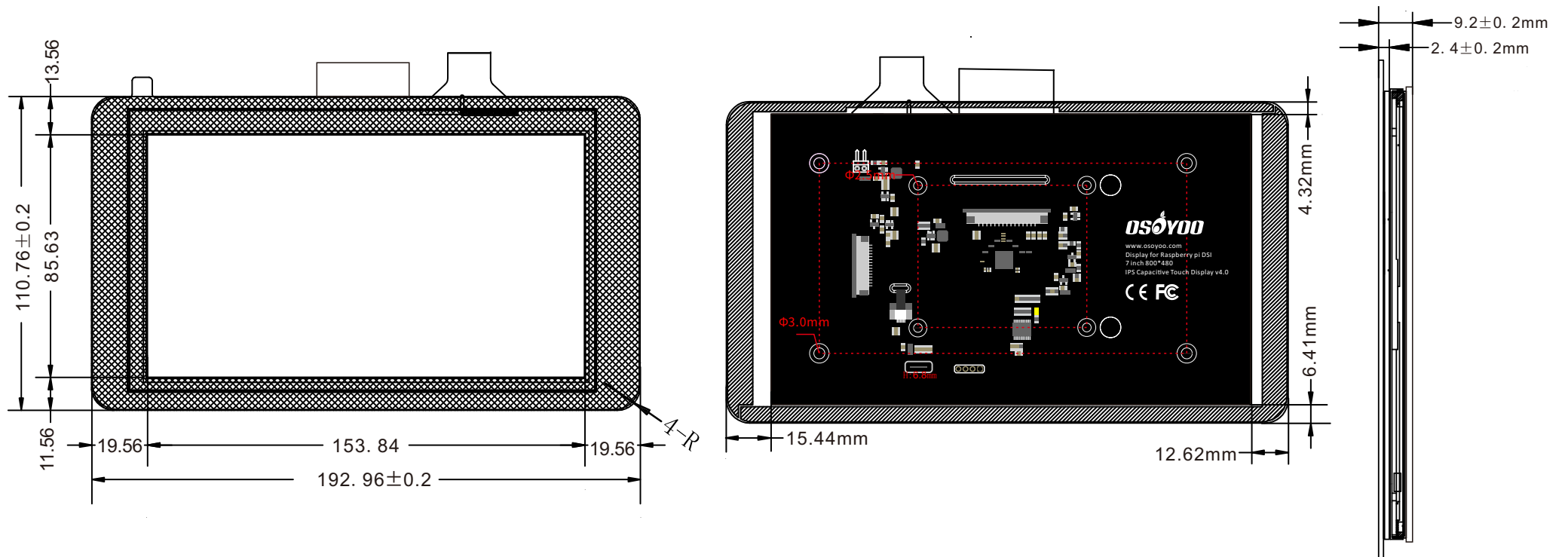
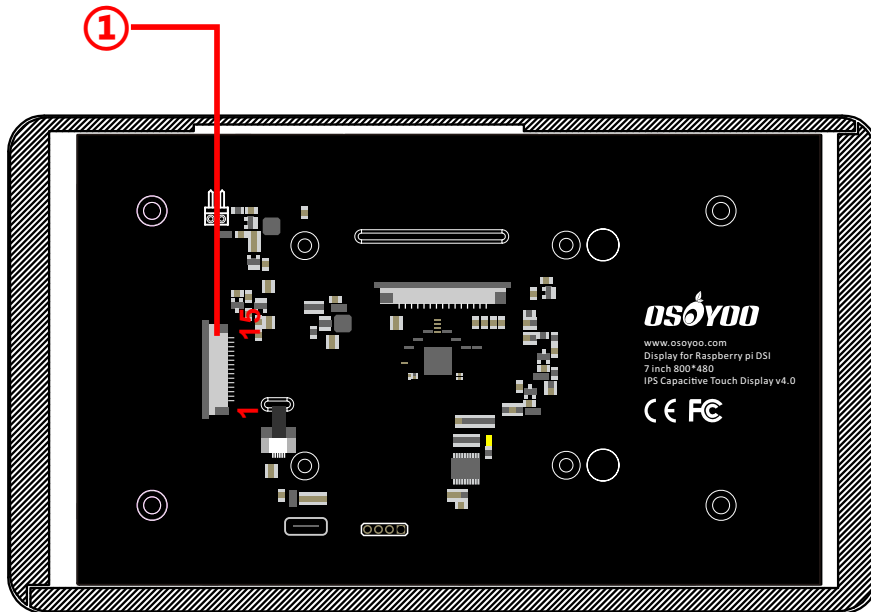


• Physical dimensions



• Feature

- 7inch IPS screen with a hardware resolution of 800 x 480.
- Capacitive touch panel
- Supports Raspberry Pi 5/4B/3B+/3A+/3B/2B/B+/A+ (Please order a 22P-0.5mm to 15P-1mm FPC DSI cable for Raspberry Pi 5)
- As it directly drives LCD by the DSI interface of Raspberry Pi, the refreshing rate is up to 60Hz.
- Supports Raspberry Pi OS / Ubuntu / Kali and RetroPie when used with Raspberry Pi, drive-free.
- Backlight adjustable via the software.
- Viewing angle: 85°, 85°, 85°, 85°



• Specification

Item	Contents	Unit	Note
Panel Type	IPS		
Display color	16M		1
Viewing Direction	ALL	O'Clock	
Operating temperature	-20~+70	°C	
Storage temperature	-30~+80	°C	
size	192.96x110.76x9.2	mm	
Active Area(WxH)	153.84x85.63	mm	
Number of Dots	800XRGBx480	dots	
Power Supply Voltage	3.3	V	
Backlight	27LED(white)	PCS	
Brightness	400	Nit	2
Data Transfer	MIPI	-	
Contrast Ratio	800		3
Respond Time	30	ms	

• Pinout

1	GND
2	D1N
3	D1P
4	GND
5	CLKN
6	CLKP
7	GND
8	D0N
9	D0P
10	GND
11	SCL
12	SDA
13	GND
14	3V3
15	3V3

Note 1: Color tune is slightly changed by temperature and driving voltage.

Note 2: The data are measured after LEDs are turned on for 5 minutes. LCM displays full white. The brightness is the average value of 9 measured spots. Measurement equipment PR-705 (Φ8mm)

Note 3: Definition of contrast ratio

$$\text{Contrast ratio}(Cr) = \frac{\text{Brightness of selected dots}}{\text{Brightness of non-selected dots}}$$