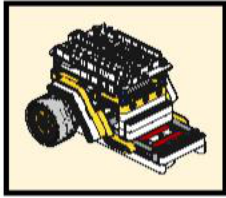
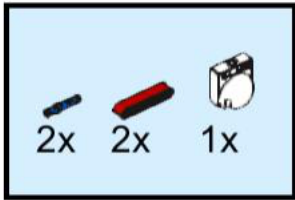
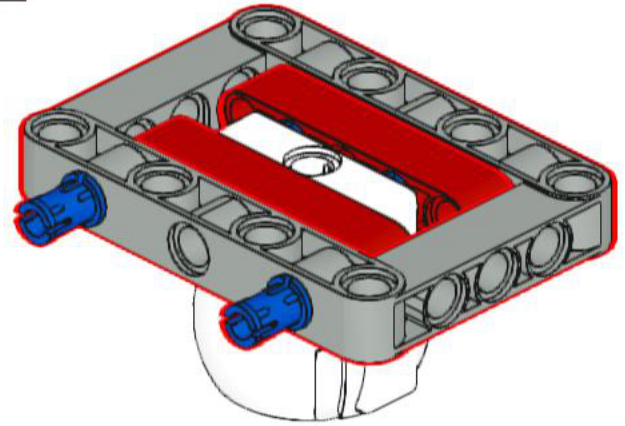
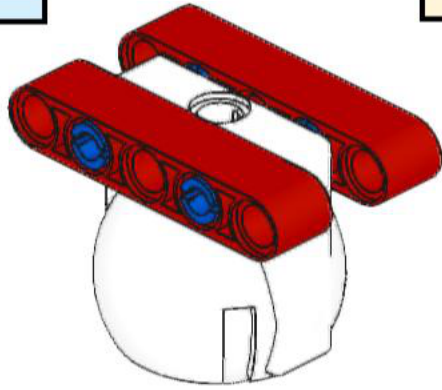
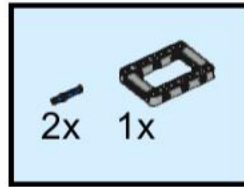


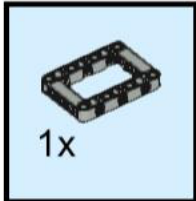
1



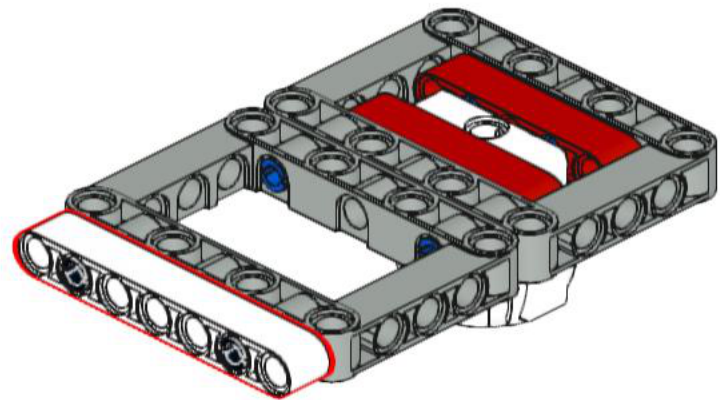
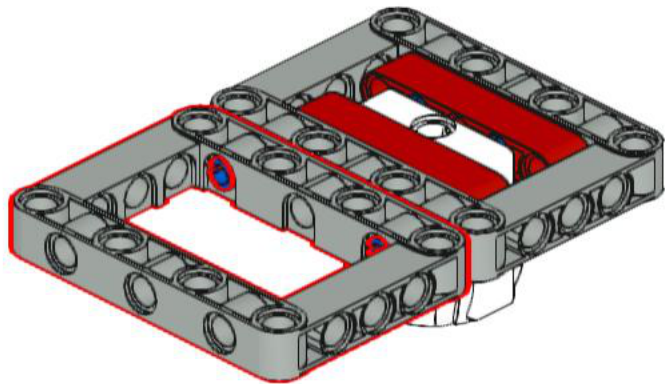
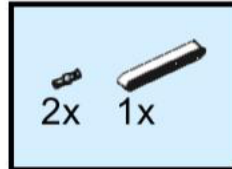
2



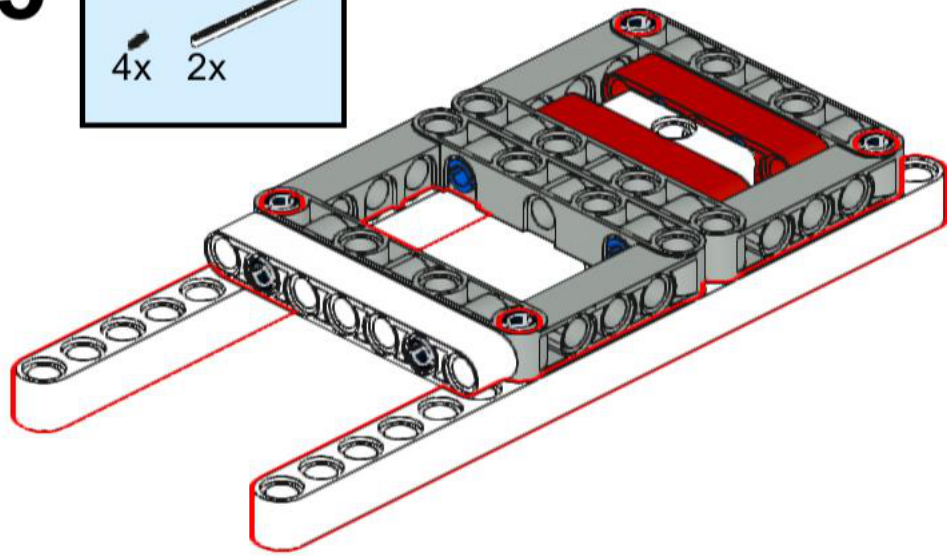
3



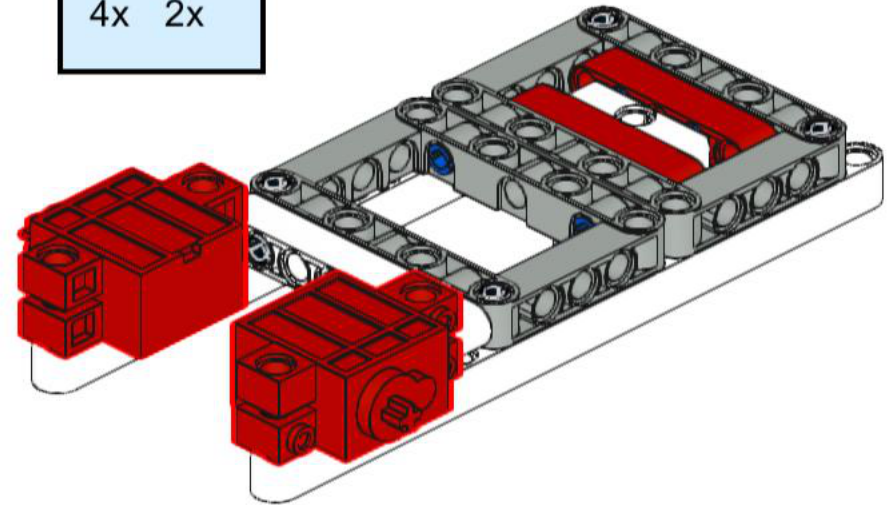
4



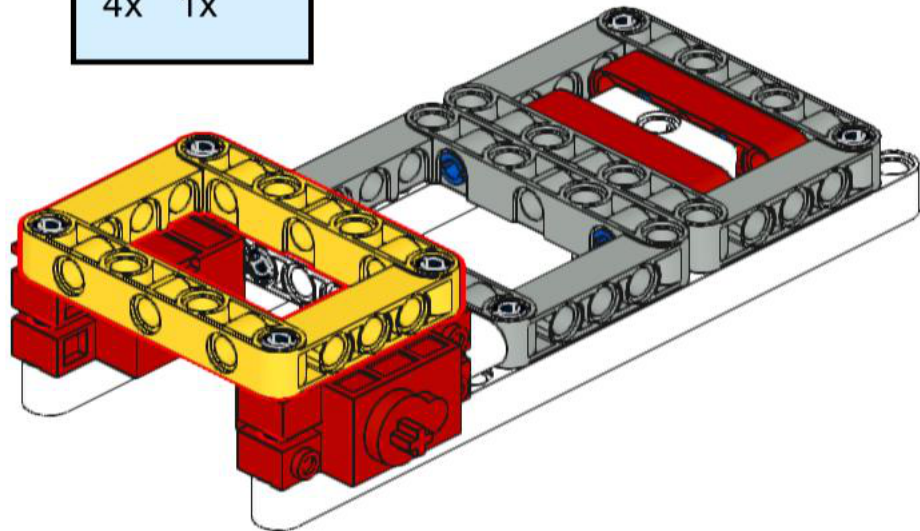
5
4x 2x



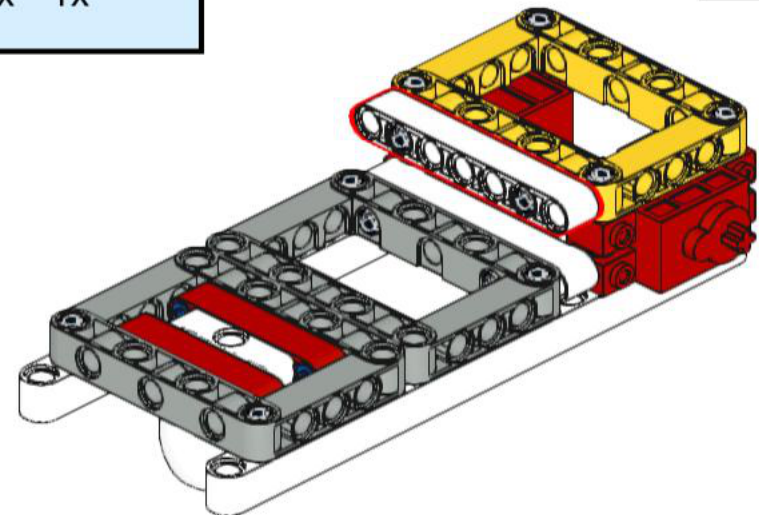
6
4x 2x



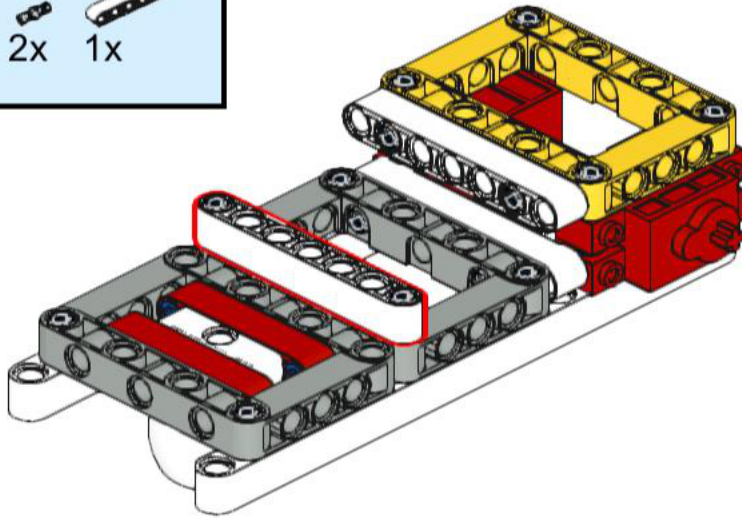
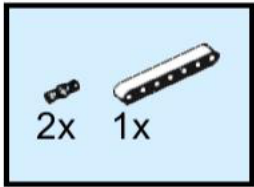
7
4x 1x



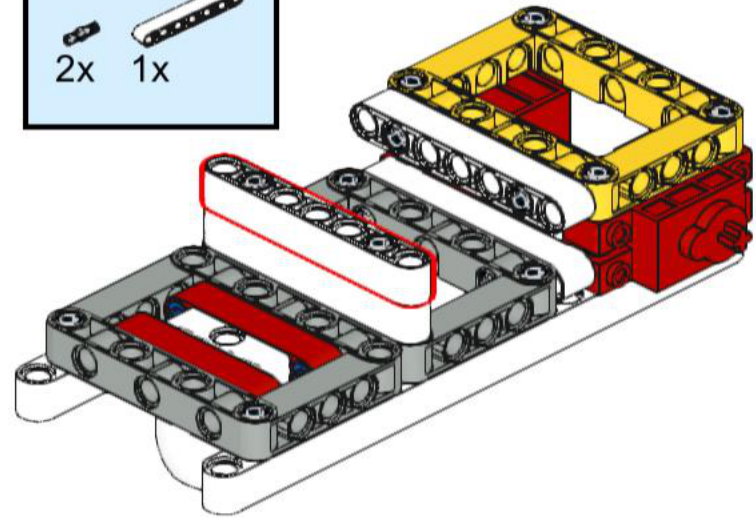
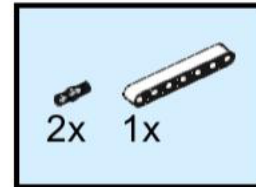
8
2x 1x



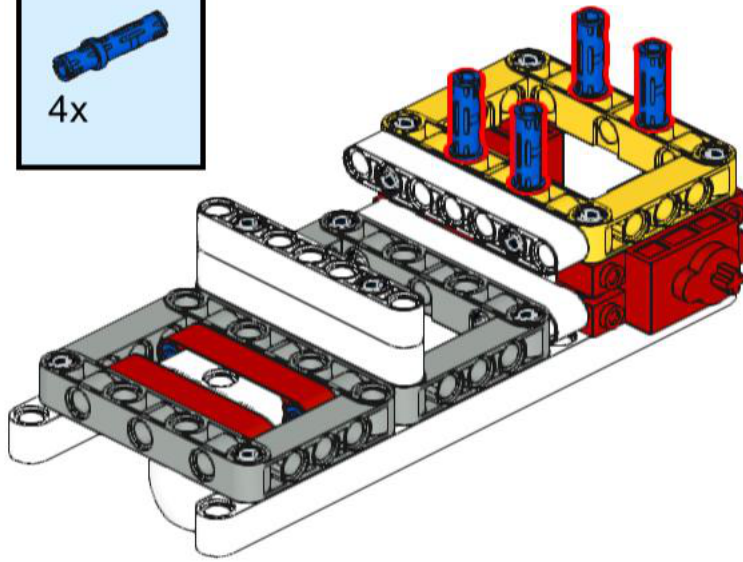
9



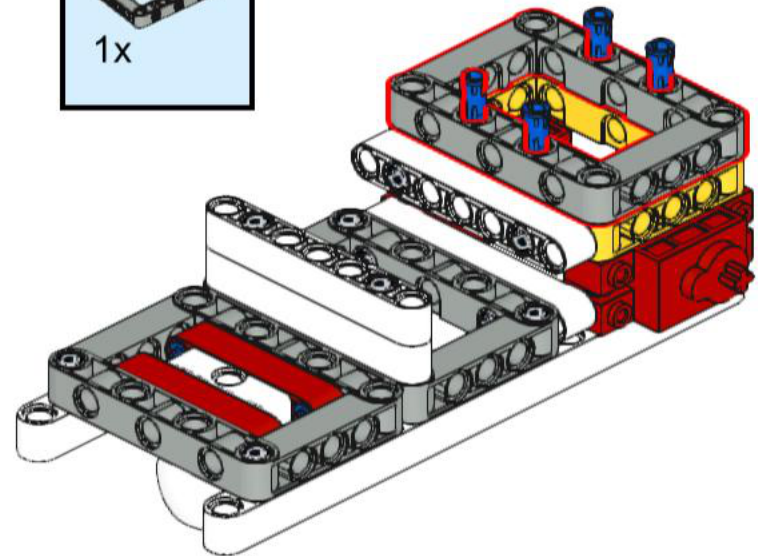
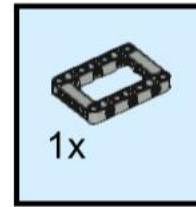
10



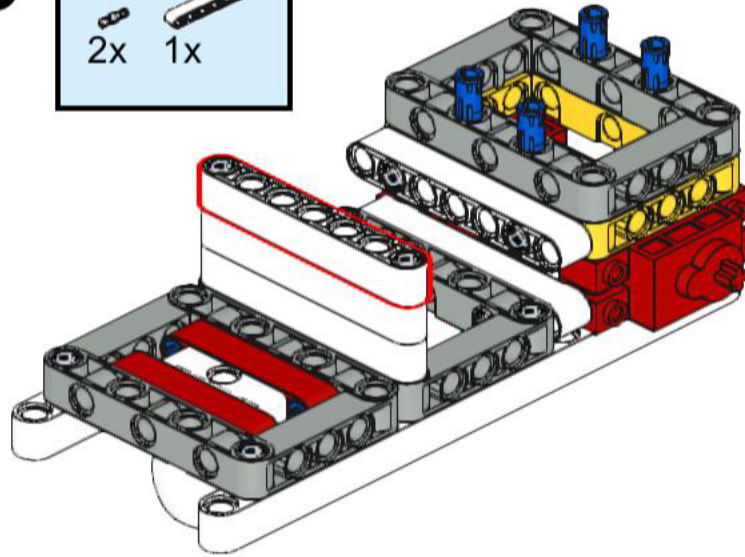
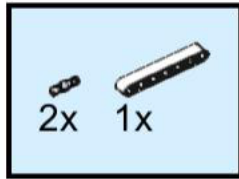
11



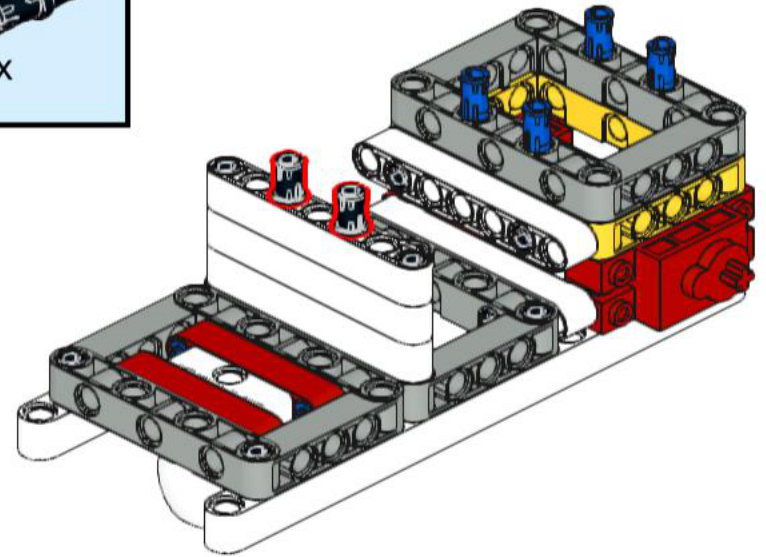
12



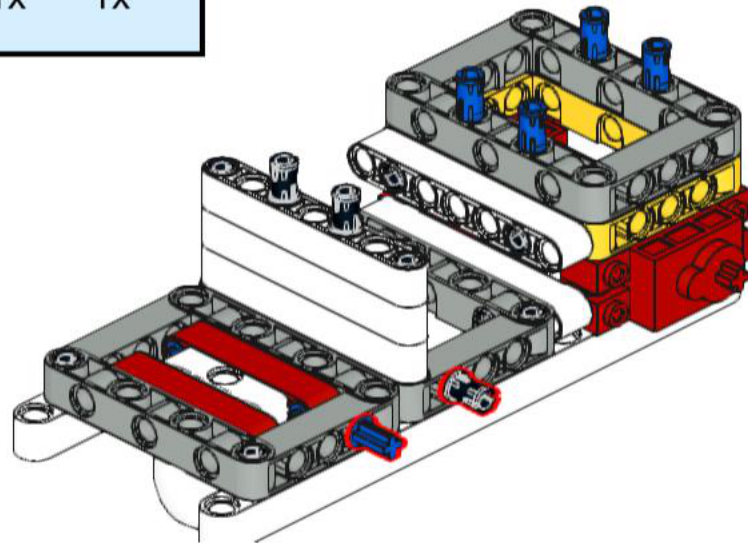
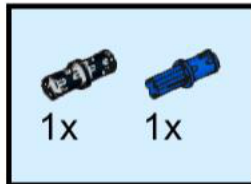
13



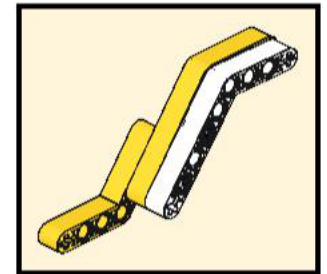
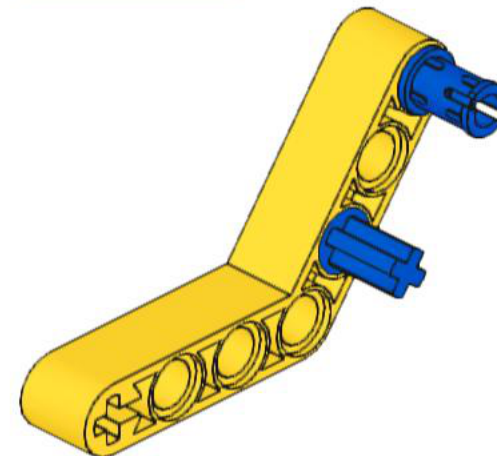
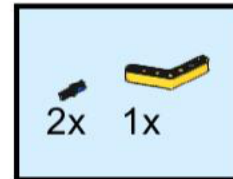
14



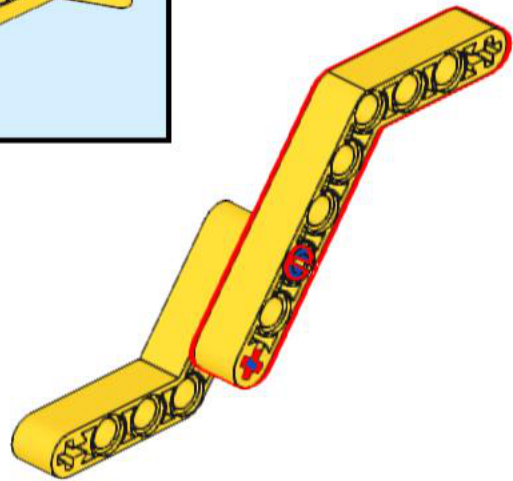
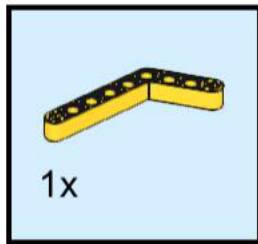
15



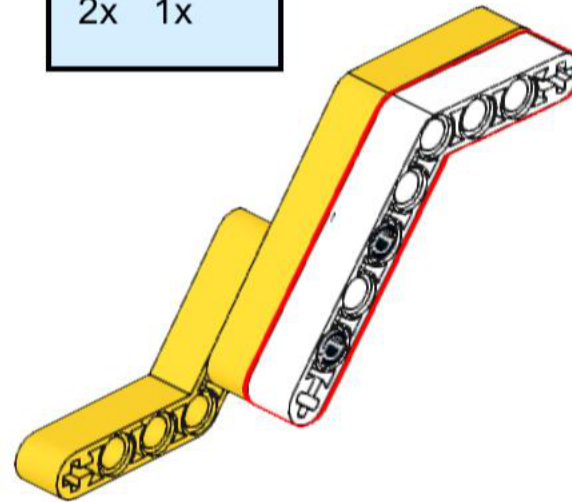
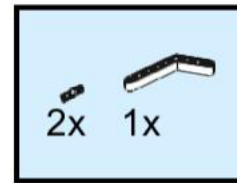
16



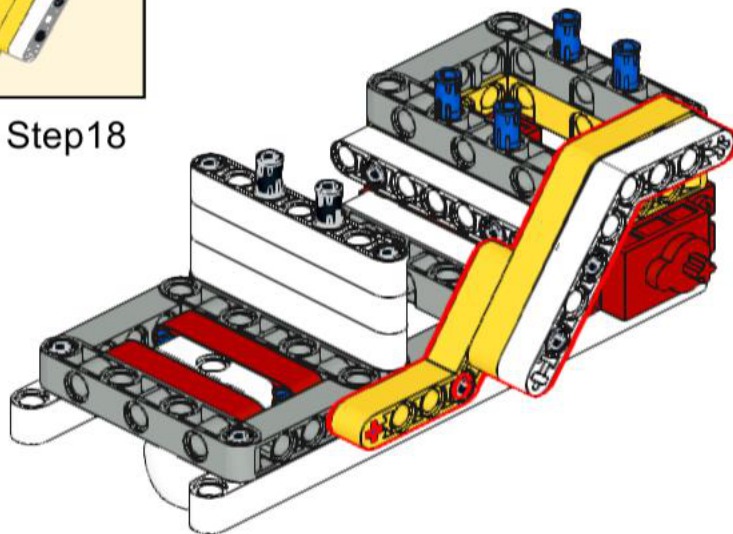
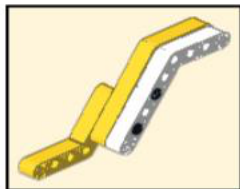
17



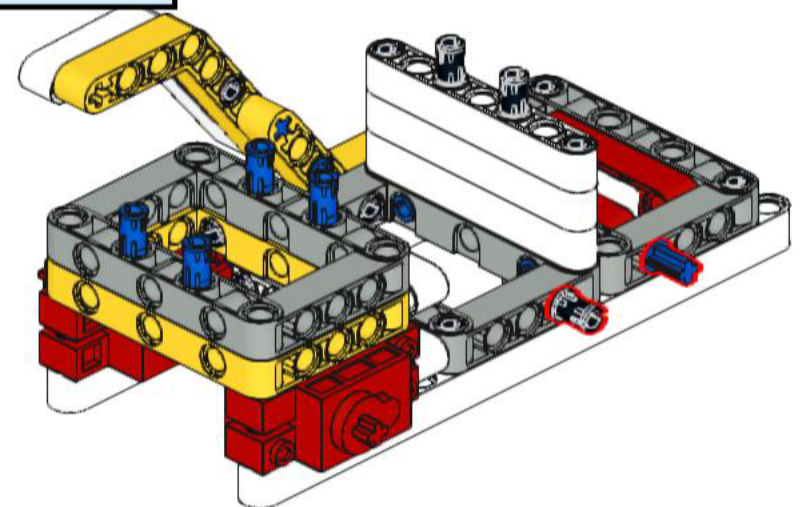
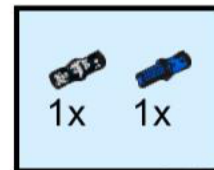
18



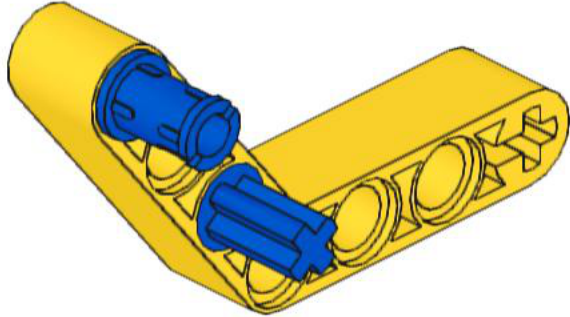
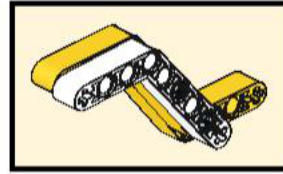
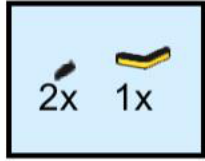
19



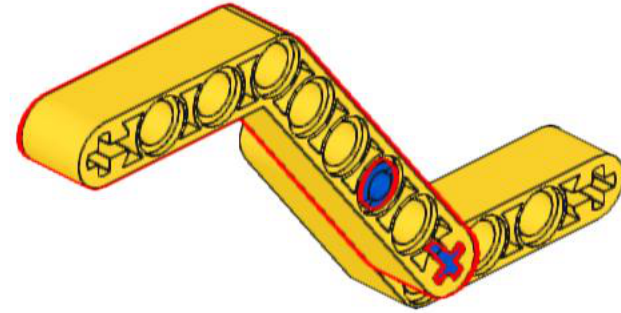
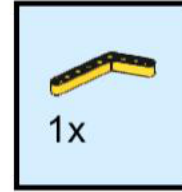
20



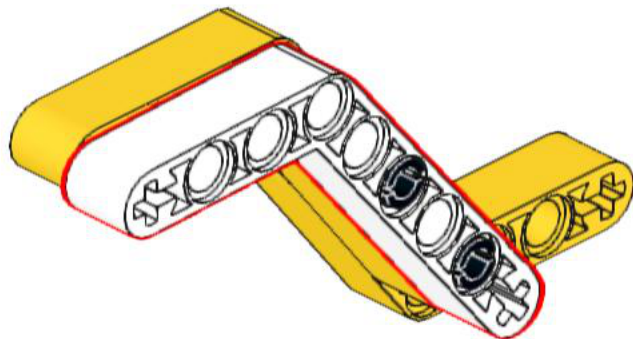
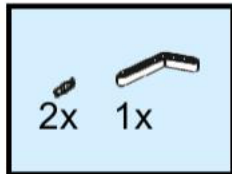
21



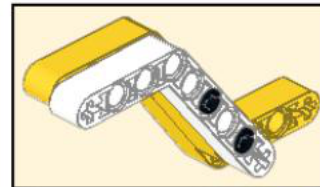
22



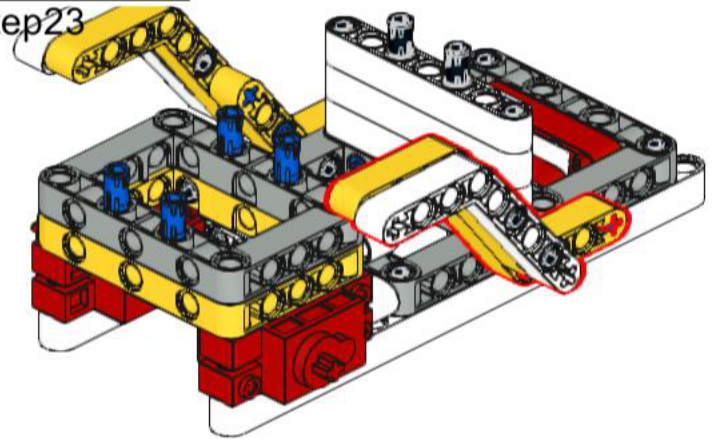
23



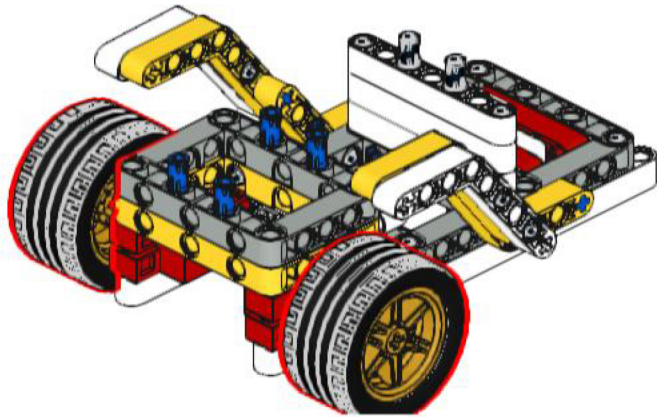
24



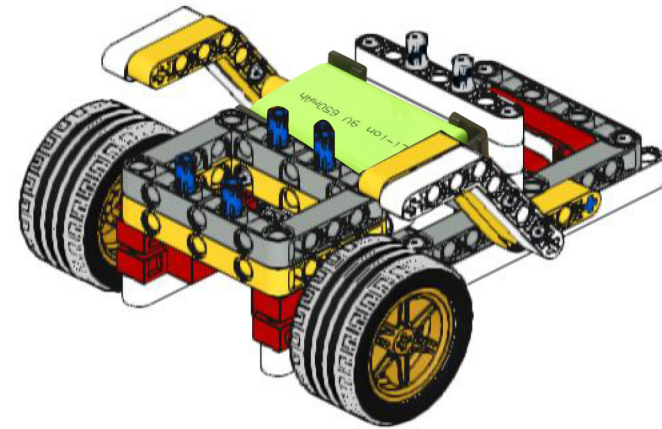
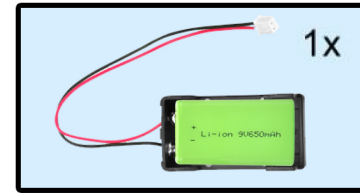
From step 23



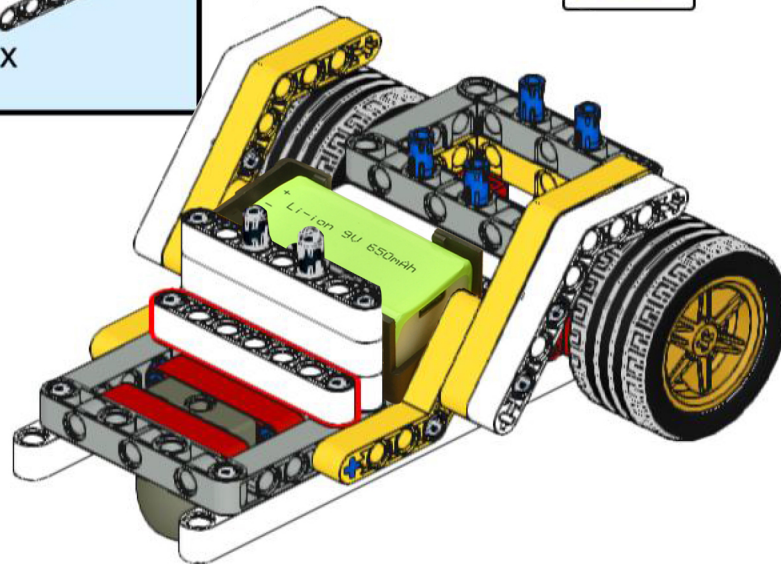
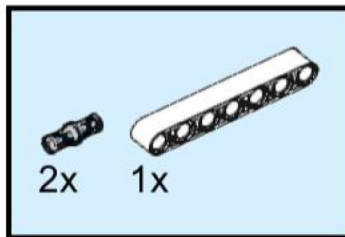
25



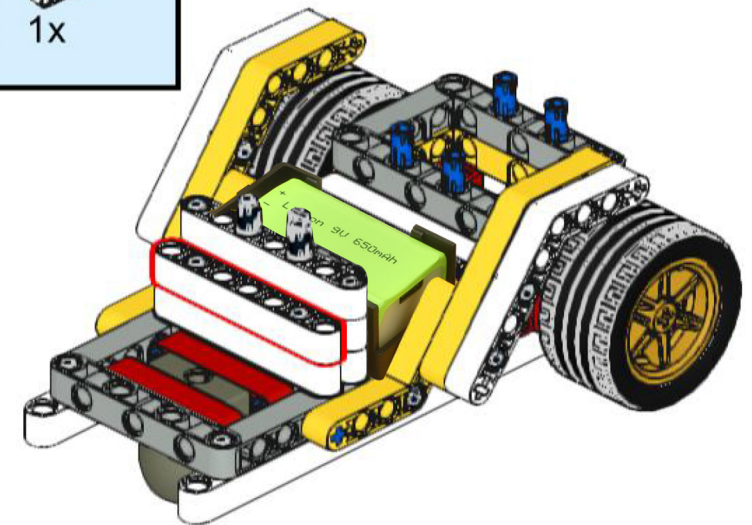
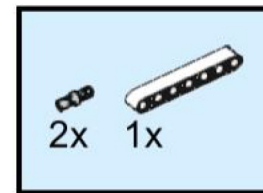
26



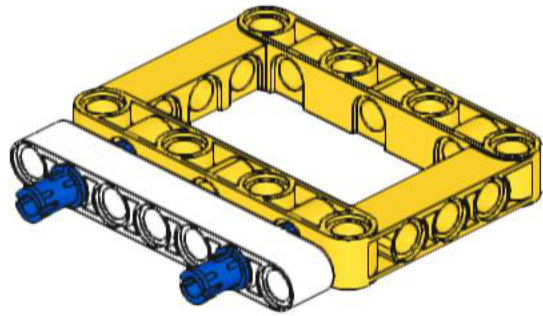
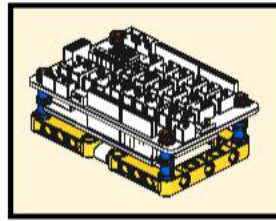
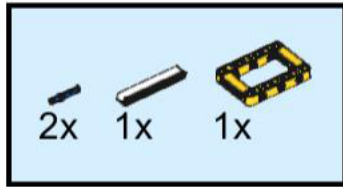
27



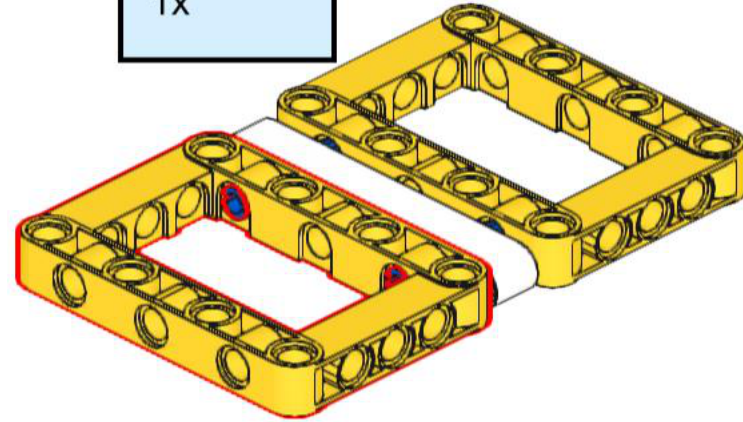
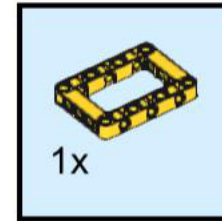
28



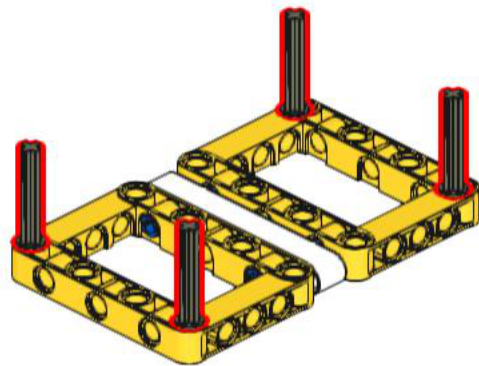
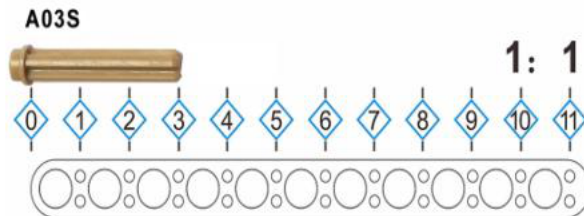
29



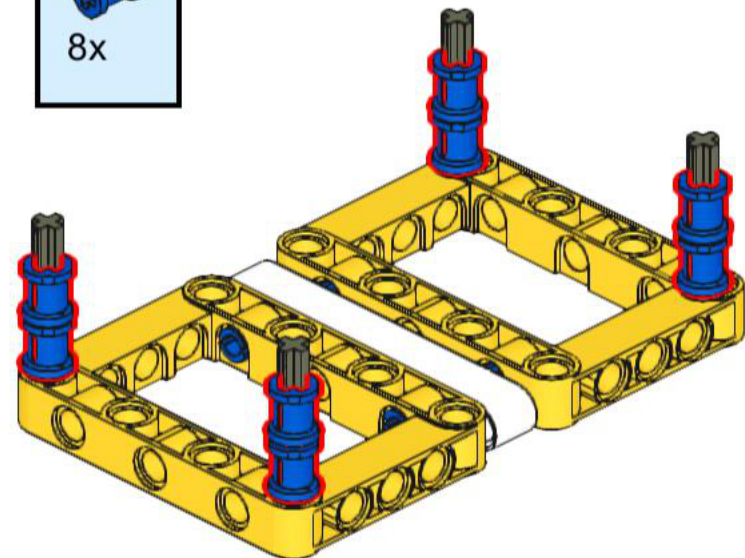
30



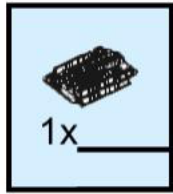
31



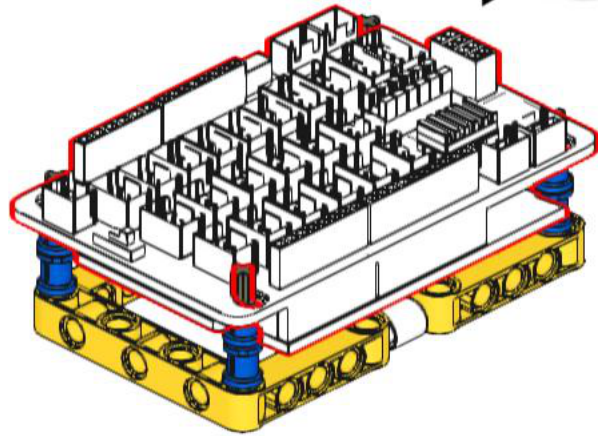
32



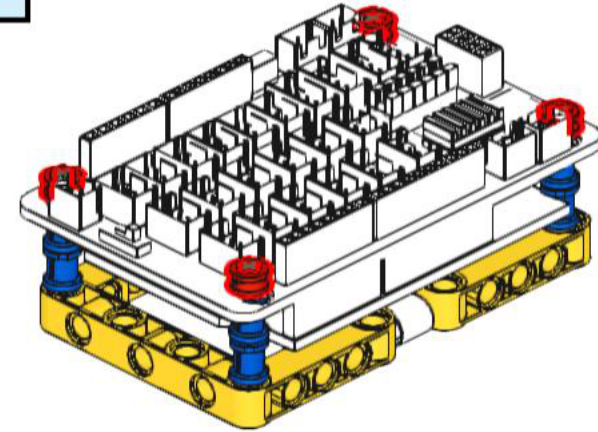
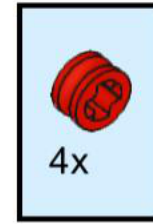
33



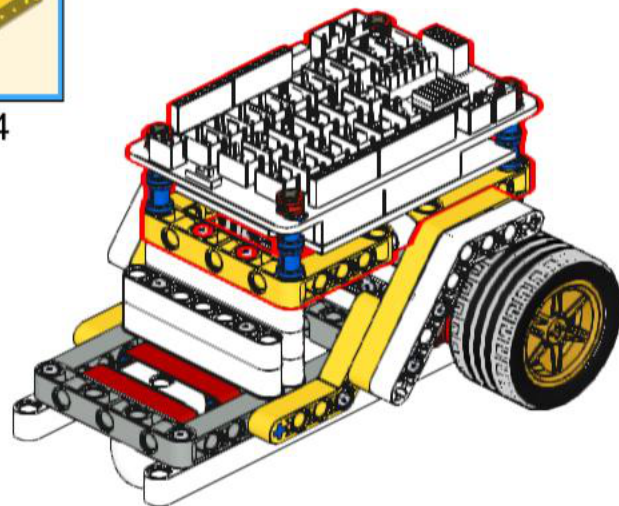
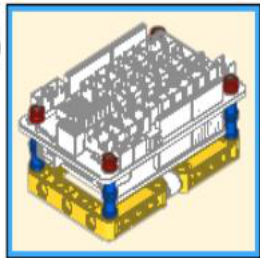
This part includes
magic shield and
OSOY00 Basic board



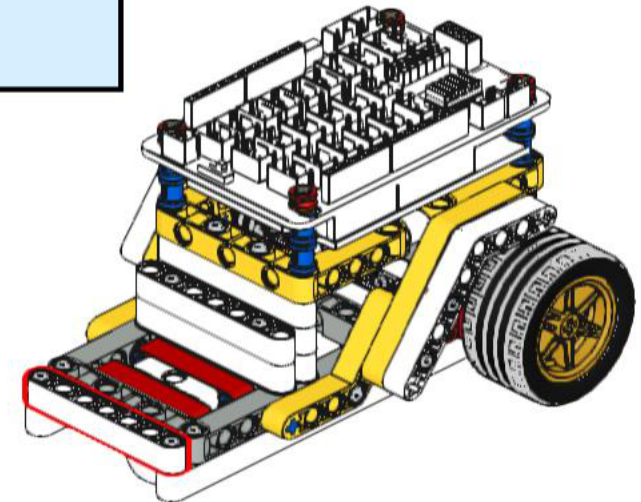
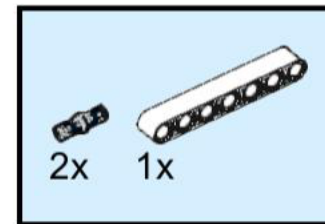
34



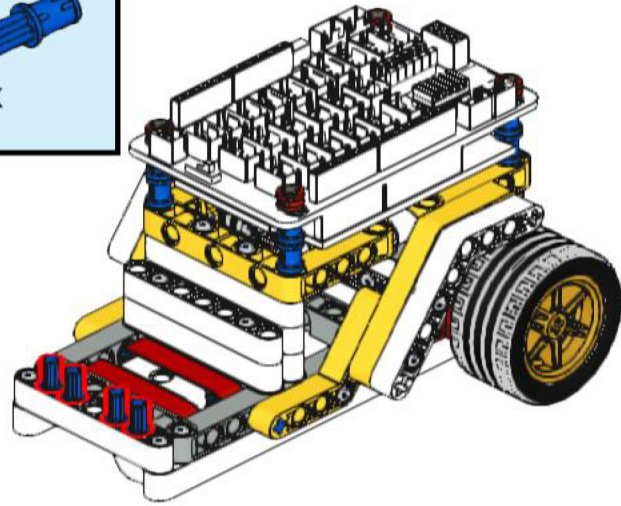
35



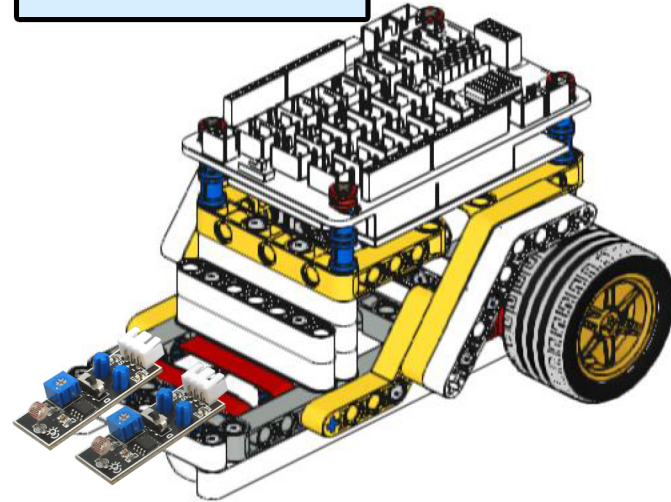
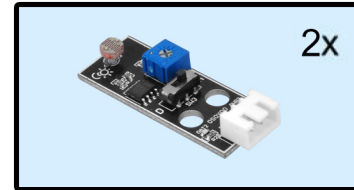
36



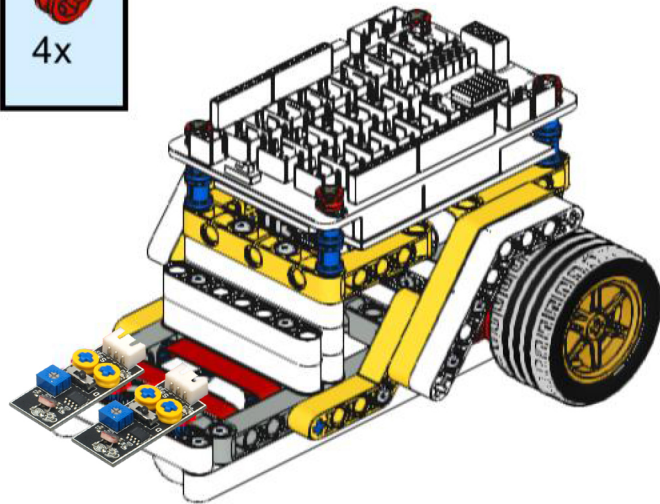
37



38



39



40

